

# GXF3-15

## MODULAR DESIGN

### FREEDOM OF CHOICE

Choose the GX series is a modular family designed around the changing operation of your business. Giving you the flexibility to cost effectively provide various brewer configurations that can fit different vessels without purchasing new equipment.

### FEATURES

- 2 additional upper burners
- Auto arm
- Visa-brew
- Back-up pour over
- Optional bypass
- Multi pot selection
- Multi-voltage
- Versatile faceplate design

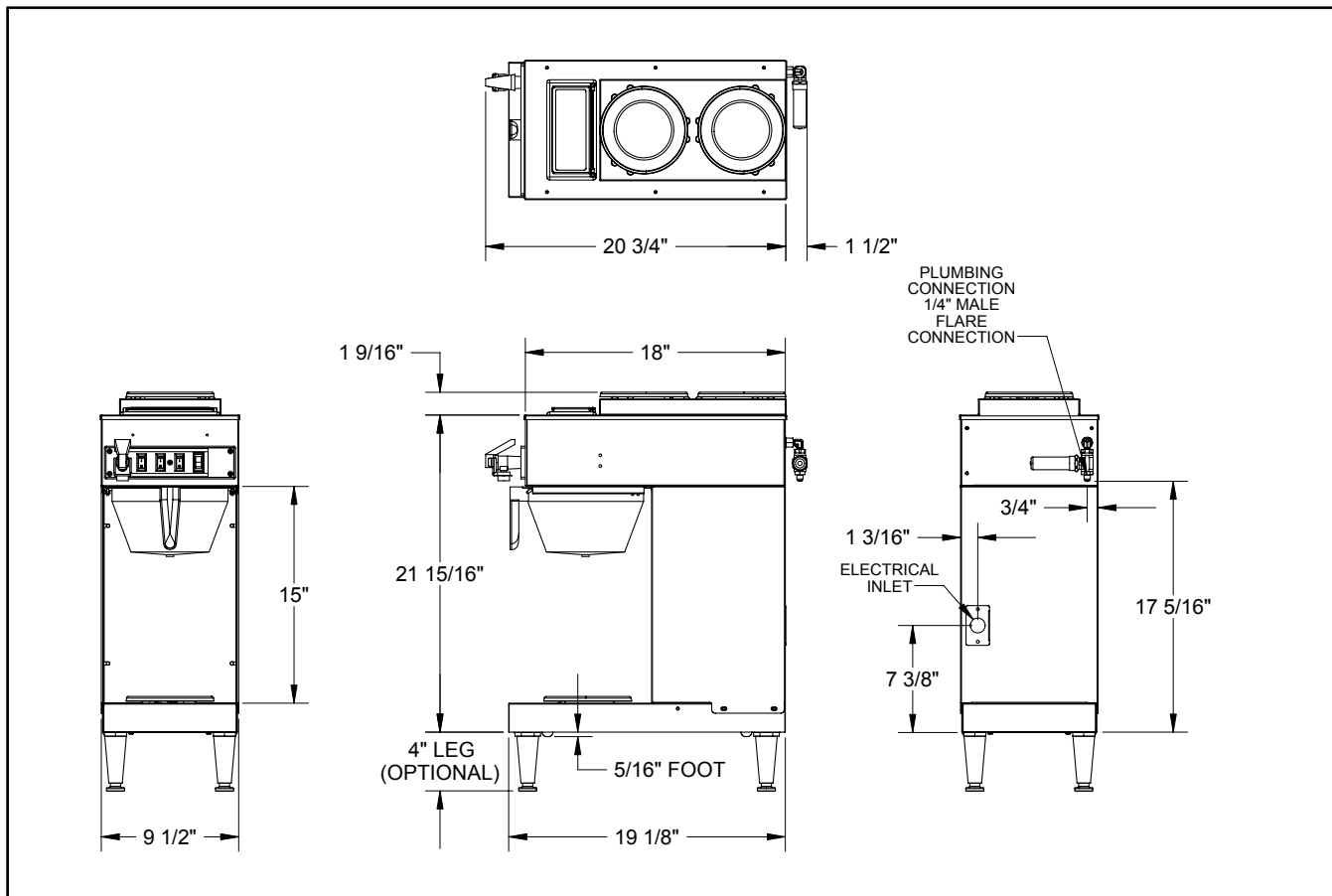
### SPECIFICATIONS:

- Brewing Volume for 120 V..... 1/2-1 G
- Brewing Volume for 240 V..... 1 Gallon - 2 gallon
- Brewing Capacity..... 480 cups per hour
- Water Supply-Cold ..... 10-100-PSI
- Satellite..... Sold separately

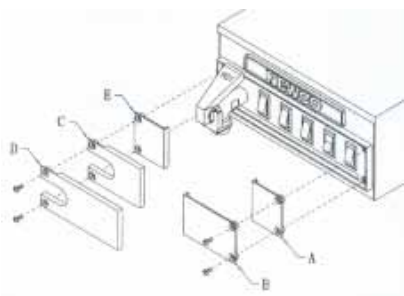


Shown here with optional  
GWT1 Warmer, 700496  
for the G15 Dispenser

# GXF3-15



WATER SUPPLY-COLD 10-100-PSI



COVER	FUNCTION
A	Conceals Multi-Volume Selector Switch
B	Conceals Multi-Volume Selector Switch And Brew Start Switch
C	Conceals One Warmer Switch (Upper warmer)
D	Conceals Warmer switches. (Both upper warmers)
E	Conceals Faucet Position when faucet is removed.

	Volts	Watts	Amps
USA	120	1695	14.2
Canada	120	1470	12
USA	240	5820	25.6
Canada	240	4920	21.8

Shipping	Cubic FT.	Weight
Brewer	8.71 cu ft.	51 lbs
Satellite	2.22 cu ft.	15 lbs